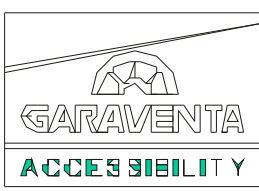


B	UPPER GATE WAS 1219MM HIGH, MOVED GATE HANDLE TO TOP OF UPPER GATE	D4/28/05	VS				
A	INITIAL RELEASE	UNITS: MILLIMETERS	03/24/05				
REV.	SCALE: NTS	TOLERANCES: DIMENSIONAL ±1	ANGULAR ±0.5°	PROJECTION:	DATE	DRN BY	CHK BY



GARAVENTA ACCESSIBILITY
 7505 - 134A STREET
 SURREY, BC, CANADA V3W 7B3
 PH: ++1 604 594 0422
 FAX: ++1 604 594 9915
<http://www.garaventa.ca>

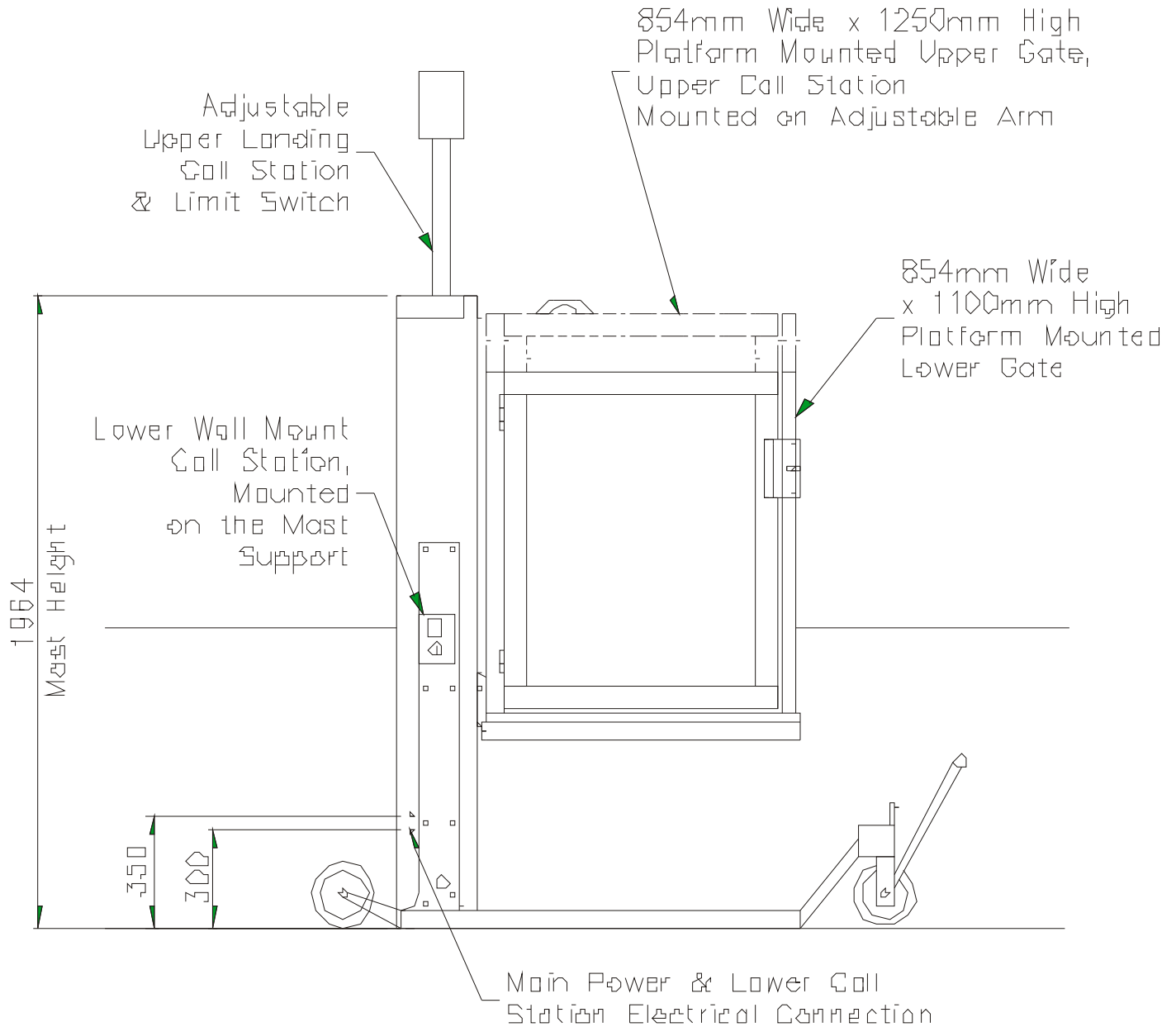
OPAL APPROVAL DOCUMENT 2005
 PORTABLE PROMO UNIT
 SOUTHAMPTON HAMSHIRE



DEDICATED CIRCUIT SUPPLIED BY OTHERS:

220-240 VAC, 1 PHASE, 50Hz

Conduit and devices to suit local codes and a recommended 20 amp, dedicated circuit.



B	UPPER GATE WAS 1219MM HIGH, MOVED GATE HANDLE TO TOP OF UPPER GATE	04/28/05	WS				
A	INITIAL RELEASE	UNITS: MILLIMETERS	03/28/05				
REV.	SCALE: NTS	TOLERANCES: DIMENSIONAL ±1	ANGULAR ±0.5°	PROJECTION:	DATE	DRN BY	CHK BY



GARAVENTA ACCESSIBILITY
 7505 - 114A STREET
 SURREY, BC, CANADA V3W 7B3
 PH: ++1 604 594 0422
 FAX: ++1 604 594 9915
<http://www.garaventa.co>

OPAL APPROVAL DOCUMENT 2005
 PORTABLE PLATFORM UNIT
 SOUTHAMPTON HAMSHIRE
 PAGE 2 OF 2
 LEVEL ACCESS LIFTS

20205-AY-08