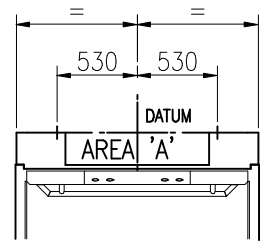


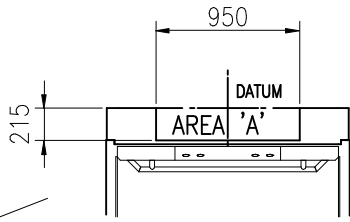
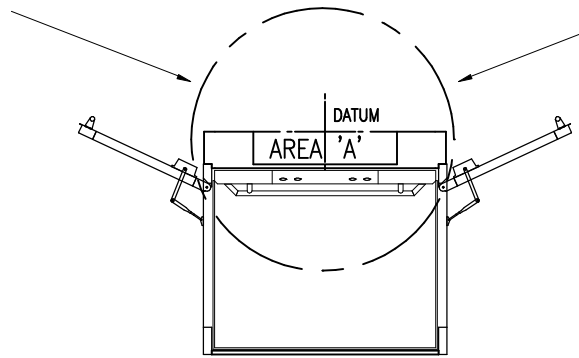
ALL DIM. ARE IN mm

DO NOT SCALE

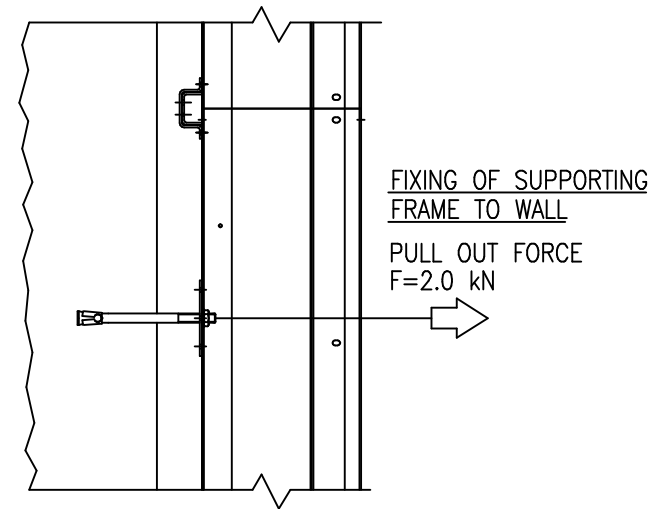
IF IN DOUBT ASK!



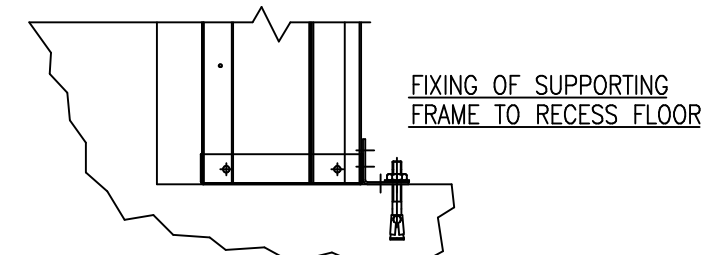
VIEW SHOWING PLACEMENT OF SUPPORTING FRAME TO WALL.



VIEW SHOWING AREA 'A'

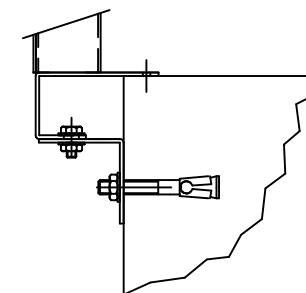


FIXING OF SUPPORTING FRAME TO WALL
PULL OUT FORCE F=2.0 kN

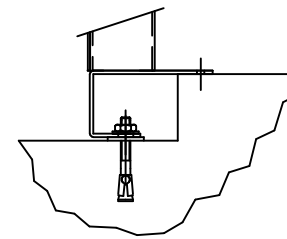


FIXING OF SUPPORTING FRAME TO RECESS FLOOR

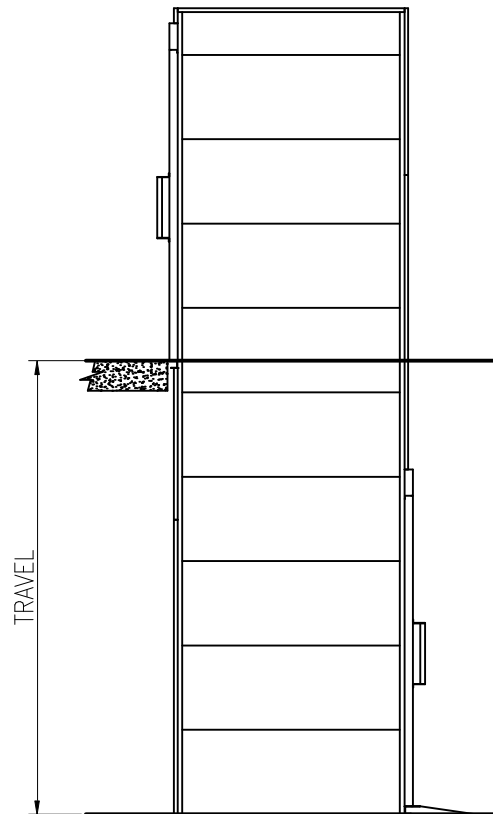
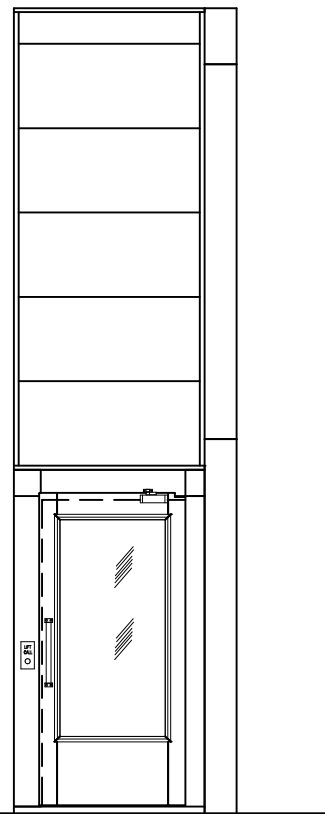
FORCE F & P
SEE TABLE



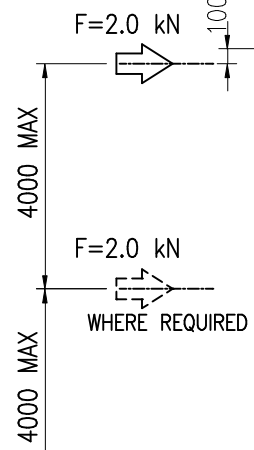
FIXING OF ENTRANCE FRAME AT UPPER LEVEL TO SHAFT WALL OR SLAB



FIXING OF BOTTOM ENTRANCE FRAME TO FLOOR LEVEL/RECESS



MANDATORY TOP FIXING AT TOP LANDING. NOMINALLY 100mm BELOW LANDING LEVEL.



FIXING OF SUPPORTING FRAME TO WALL

FOR SIZE OF RECESS & HOLE THROUGH FLOOR SEE QUOTATION DRG. OR INSTALLATION DRG.

MAXIMUM FORCE 'F' AND PRESSURE 'P' ON AN AREA 'A'		
TRAVEL (m)	F (kN)	P (kN/m ²)
1	8	38
2	8.5	41.5
3	9.2	45
4	10	48.5
5	11	52
6	11.5	55.5
7	12	59
8	13	62.5
9	13.4	66

A	A.J.ROLLINGS 2 FEB 06	/	ORIGINAL ISSUE
ISSUE	DRN./DATE	CHKD	CHANGE DETAILS

CLIENT
-
-
-
-

TITLE
**VERTICAL LIFTING PLATFORM
FIXING DETAIL & LANDING
INFORMATION**

CONTRACT NO: - ORIGINAL SCALE: 1:50

DRAWING NO: SP-LIF-0010



LEVEL ACCESS LIFTS
FOURELLE HOUSE CENTRAL CRESCENT MARCHWOOD IND. PARK
MARCHWOOD SOUTHAMPTON SO40 4BJ
TEL: 0845 4662 999 FAX: 0845 4662 777 EMAIL: sales@levellifts.co.uk

GENERAL TOLERANCES	<300mm	<1.2M	>1.2M
CUTTING	± 0.5	± 0.5	± 0.5
PUNCHING	± 0.2	± 0.5	± 0.5
FORMING/FOLDING	± 0.5	± 1.0	± 2.0
DUCTING	± 1.0	± 3.0	± 5.0
GENERAL INSTALLATION	± 2.0	± 3.0	± 5.0
DUCTING INSTALLATION	± 3.0	± 5.0	± 10.0

THIS DRAWING IS ISSUED SOLELY ON THE UNDERSTANDING THAT IT IS COPYRIGHT AND CONFIDENTIAL. IT MAY NOT BE USED OR REPRODUCED WITHOUT PRIOR WRITTEN CONSENT OF THE COMPANY

FIRST ANGLE PROJECTION A3