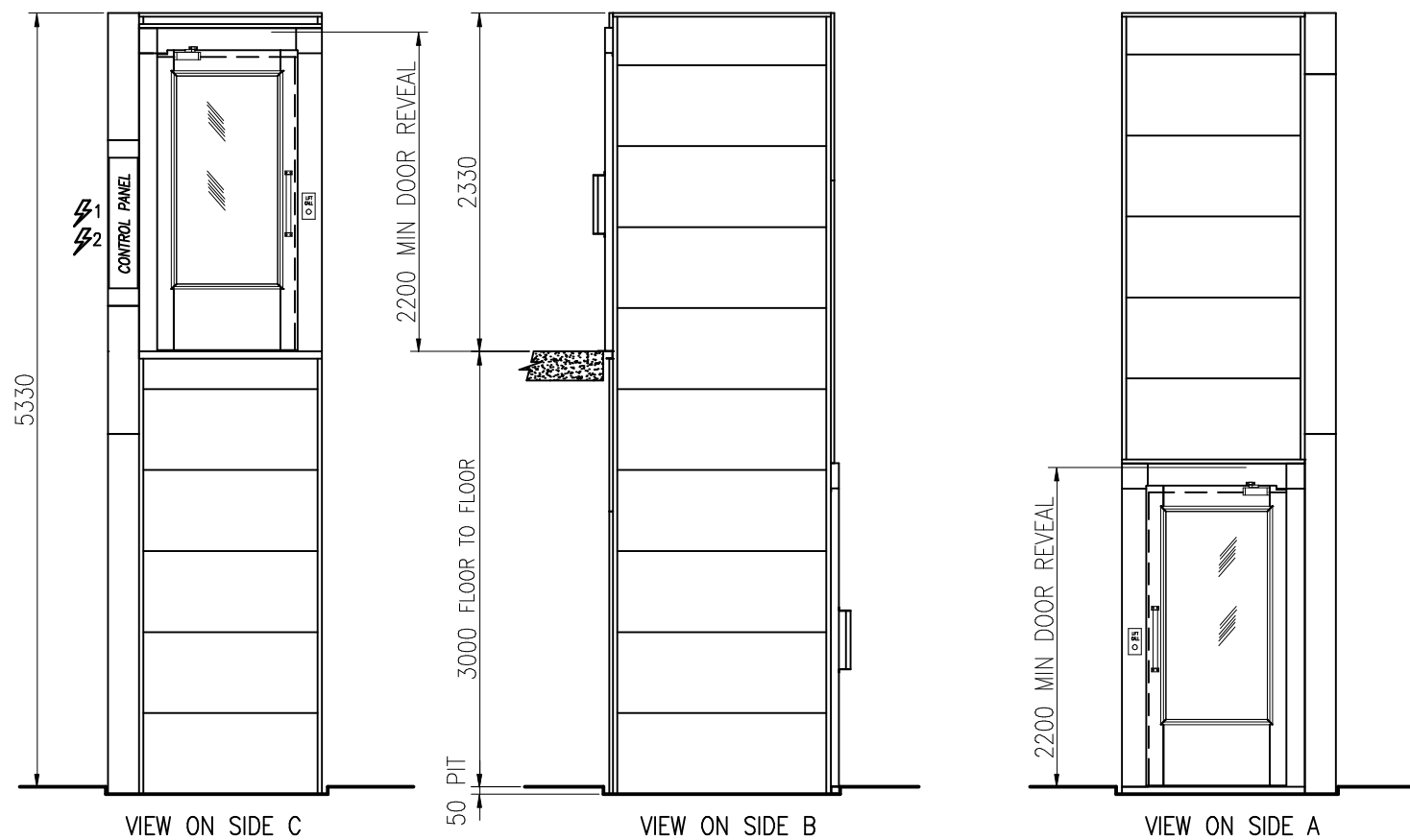
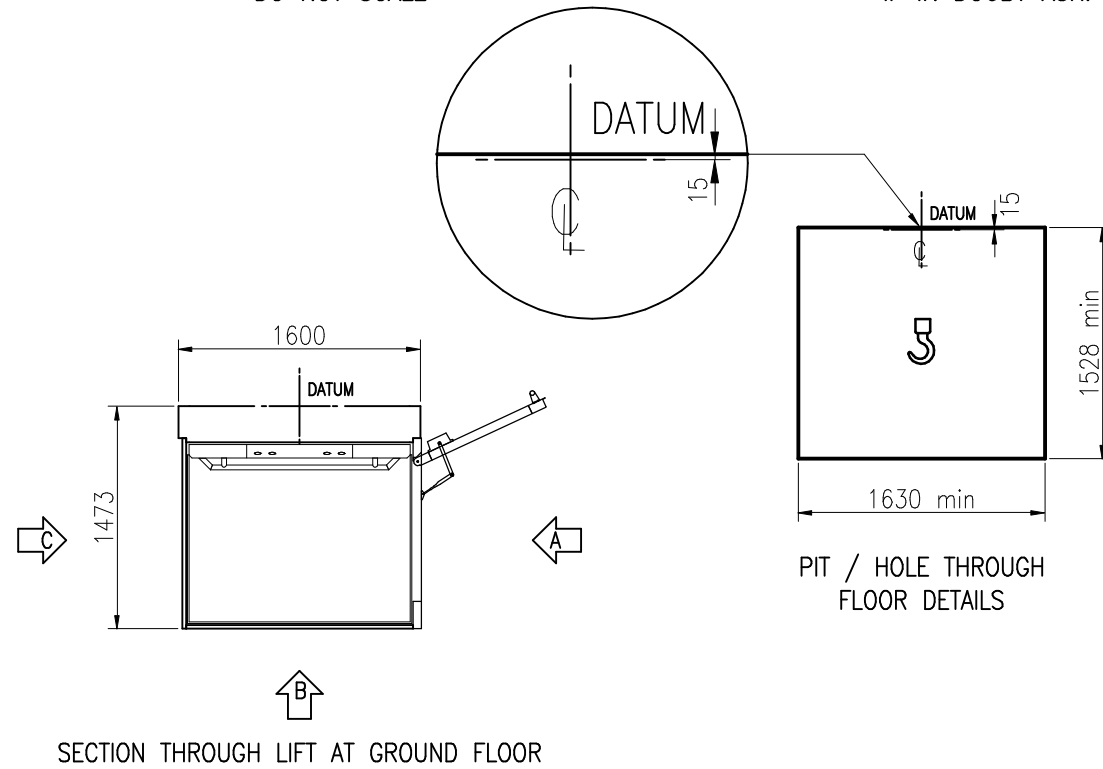


ALL DIM. ARE IN mm

DO NOT SCALE

IF IN DOUBT ASK!



SPECIFICATION		OPTIONS AVAILABLE	
VERTICAL PLATFORM LIFT FOR USE BY PERSONS WITH IMPAIRED MOBILITY ONLY LOADING TO 400kg, TWO PERSON OCCUPANCY WITH FULLY ENCLOSED SHAFT PLATFORM SIZE 1480mm x 1100mm		PIT	
		SPLIT MAST	
		POWERED DOOR ACTUATORS	
		GLAZING	
		SIDE A	
		SIDE B	
		SIDE C	
		MAST CLADDING TO FLOOR	
		REAR CLADDING PANELS	
		CEILING WITH LIGHT FITTING	
ELECTRICAL REQUIREMENTS		POWERED EMERGENCY LOWERING	
⚡1	LIFT POWER SUPPLY 1 PHASE 230V 20A or 3 PHASE 415V 10A	STAINLESS STEEL DOOR HANDLES	
		STAINLESS STEEL GRAB RAIL	
		MAST SUPPORT BRACKETS	
		KEY SWITCH DOOR CALL POINTS	
⚡2	CEILING LIGHT POWER SUPPLY 1 PHASE 230V 6A	AUTODIALER	
		VOICE ANNUNCIATION (PLATFORM)	
LIFTING BEAM / POINT REQUIREMENTS		INDUCTION LOOP	
⚡	LIFTING BEAM / POINT REQUIRED RATED AT 500kg SWL	SUPPLEMENTARY VISUAL ALARM	
		AUDIBLE ANN. ON LANDING (GONG)	
		VISUAL ANN. ON PLATFORM	
		VISUAL ANN. ON LANDING	
		EXTERNAL ROOF	
A	A.J.ROLLINGS 07 NOV 06	ORIGINAL ISSUE	
ISSUE	DRN./DATE	CHANGE DETAILS	
CLIENT			
-			
-			
-			
-			
TITLE			
VERTICAL LIFTING PLATFORM TYPICAL LAYOUT DRAWING THROUGH DOORS			
CONTRACT NO:		-	ORIGINAL SCALE: 1:50
DRAWING NO:		K-TYP01	
LEVEL ACCESS LIFTS FOURELLE HOUSE CENTRAL CRESCENT MARCHWOOD IND. PARK MARCHWOOD SOUTHAMPTON SO40 4BJ TEL: 0845 4662 999 FAX: 0845 4662 777 EMAIL: sales@levellifts.co.uk			
DRAWING APPROVAL			
DRAWING APPROVED BY DISTRIBUTOR			
SIGN..... NAME..... DATE .../.../...			
DRAWING APPROVED BY CLIENT			
SIGN..... NAME..... DATE .../.../...			
THIRD ANGLE PROJECTION			A3



LEVEL ACCESS LIFTS
 FOURELLE HOUSE CENTRAL CRESCENT MARCHWOOD IND. PARK
 MARCHWOOD SOUTHAMPTON SO40 4BJ
 TEL: 0845 4662 999 FAX: 0845 4662 777 EMAIL: sales@levellifts.co.uk

THIS DRAWING IS ISSUED SOLELY ON THE UNDERSTANDING THAT IT IS COPYRIGHT AND CONFIDENTIAL. IT MAY NOT BE USED OR REPRODUCED WITHOUT PRIOR WRITTEN CONSENT OF THE COMPANY

THIRD ANGLE PROJECTION A3